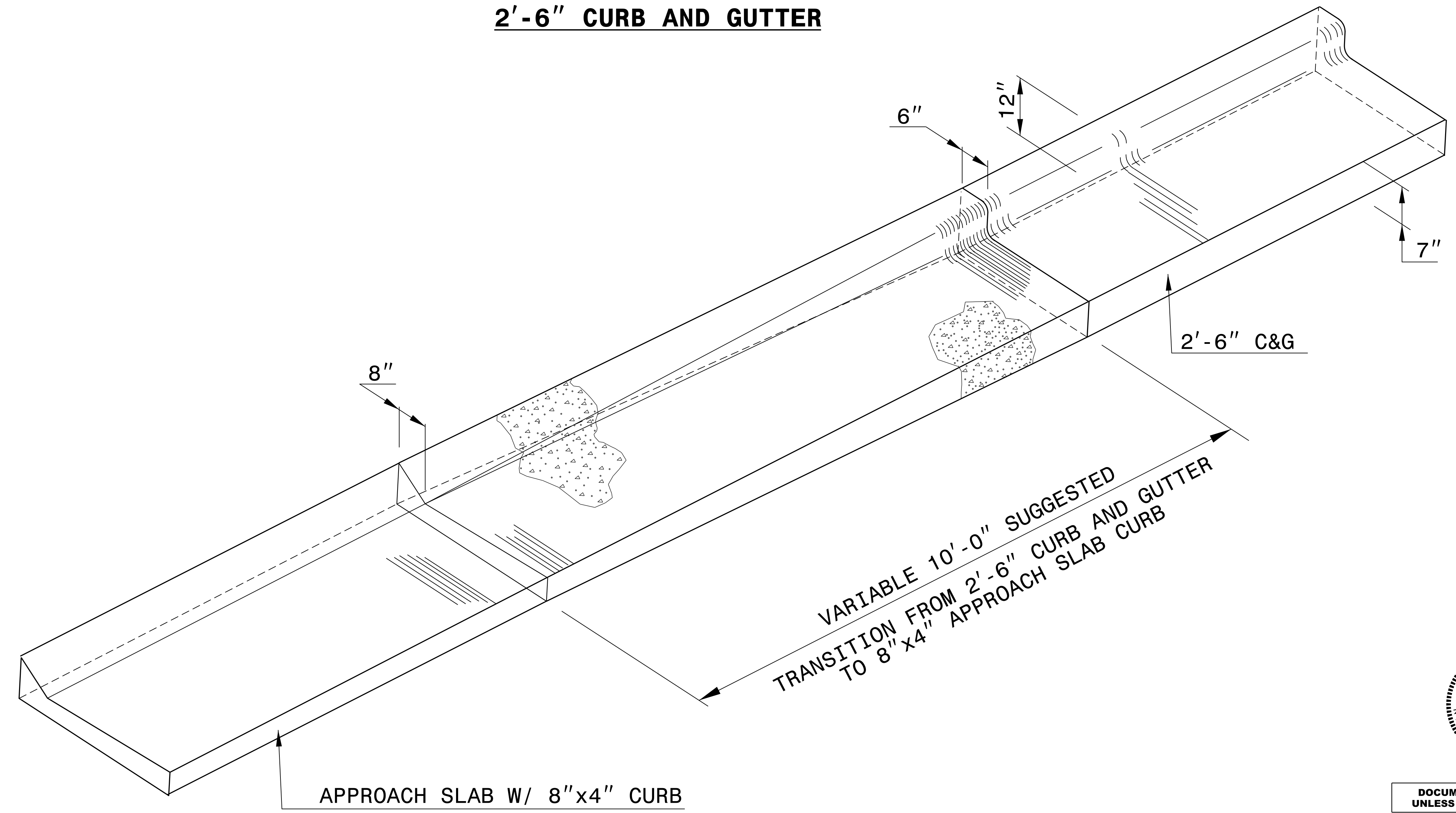


*NOTE: SEE STD. DWG. 846.01 FOR GENERAL NOTES



DOCUMENT NOT CONSIDERED FINAL
UNLESS ALL SIGNATURES COMPLETED

CONTRACT STANDARDS AND DEVELOPMENT UNIT	
Office 919-707-6950 FAX 919-250-4119	
DETAIL OF 2'-6" CURB & GUTTER TO 8"x4" APPROACH SLAB CURB TRANSITION SECTION	
ORIGINAL BY: E.E. WARD	DATE: 5-29-02
MODIFIED BY:	DATE:
CHECKED BY:	DATE:
FILE SPEC.: /usr/details/stand/cgtransit.dgn	

08-JAN-2020 09:26 S:\Contracts\Special Details\vericard\usr\details\stand\c&g transition sections.dgn Jhowerston AT USD-320965

5/14/99